

# Gunnebo OptiStile 720

Swinging Barrier Glass Optical Turnstile

**GUNNEBO**<sup>®</sup>

## Technical Specifications

|                     |   |  |                |                         |
|---------------------|---|--|----------------|-------------------------|
| Standard Dimensions | Casework Length   | 42.0" / 48.0"* / 60.0" / 72.0"                     | Walkway Width  | 28.0" std / 36.0" (ada) |
|                     | Casework Height   | 39.4"  | Casework Width | 6.5"                    |
|                     | Glass Barrier Height  | 33.8" / 47.2" / 59.1" / 70.9"                      |                |                         |
|                     |   |  |                |                         |
| Orientation, Drive  | Bi-Directional, Motorized   |  |                |                         |
| Materials           | Pedestal*   | #4 grade stainless steel and tempered glass center |                |                         |
|                     | Pedestal Lid*   | #4 grade stainless steel                           |                |                         |
|                     | Barrier   | 0.4" thick tempered glass secured by a steel shaft |                |                         |
| Construction        | Pedestals are constructed of a stainless steel frame. Small radius (3/16") casework construction and finishes applied such that no exposed seams appear at leading edges. Integrated panels easily removed for preventative maintenance.                    |  |                |                         |
| Function            | Passage in both directions is electronically controlled via direct drive intelligent positioning (DDIP) induction sensor control motor. Sensor direction provided through industrial-duty infrared photoelectric beams.                                     |  |                |                         |
| Flow Rates          | Up to 40 users per minute (approximate figures).  |  |                |                         |
| Operation           | On receiving a signal from the access control system or pushbutton, the panels open. If an unauthorized person tries to tailgate or enter from the opposite direction, the system detects the unauthorized passage and activates the built-in alarm system. |  |                |                         |
| Fire Alarm          | Input facility, for voltage-free contact supplied by others to effect fail state.   |  |                |                         |
| Power Supply        | 115VAC 60HZ (230VAC 50HZ available). The circuit is fed via remote mounted step-down transformer supplied with the unit.  |  |                |                         |
| Power Rating        | Stand By < 0.5 AMP; In Operation > 6.0 AMP  |  |                |                         |
| Logic Voltage       | 24VDC   |  |                |                         |
| Power Loss          | In a loss of power the barrier glass will be completely de-energized and move freely with very minimal force to the open position.  |  |                |                         |
| Certification       | CSA certified to UL 325; Class 6711 81/01 - Door Operating Units  |  |                |                         |

\*As standard. See Accessories and Options for alternatives.

## Operational Modes & Notifications

### Operational Modes

The following modes can be set when the units are installed and can be changed later through the use of a remotely mounted pushbutton or touchscreen controller.

**Purely Optical (Always Open Mode)** The swinging panels are not used. Audible alarms will signal unauthorized access attempts or tailgating activity.

**Full-Time Barrier (Normally Closed Mode)** The swinging panels remain closed until a valid access control card is presented. Tailgaters and unauthorized entries are signaled by an alarm-type tone.

**Pop-Out (Normally Open Mode)** The swinging panels remain open unless there is an invalid transaction.

### Standard Operating Modes

Switchable via optional pushbutton (DTC) or touchscreen (HMI) controller.

|                    |         |
|--------------------|---------|
| Enter/Card In      | Reset   |
| Exit/Card Out      | Close   |
| Free Exit/Card Out | Pop-Out |
| Optical            |         |

### Pictogram Lights

LED display pictograms visually assist the user when passing through the unit. Included as standard.

## Accessories & Options

**Alternative Materials and Finishes** Wide range of custom materials and finishes (including brass, bronze, oxidized stainless steel, and powder coat paint) to suit any architectural design.

**Card Reader Options** Custom integration of customer-supplied readers into pedestal lid. Proximity, magnetic stripe, biometric, and barcode readers all compatible.

**Remote Lane Control** Remote lane control via desktop pushbutton (DTC) or touchscreen (HMI).

**Alternative Mounting** Specialized mounting base platforms giving concealed cableway and requiring no drilling, trenching, or core drilling to the floor.

**Static Panels** When extra space presents in a design, integrated or standalone barrier solutions can be provided.

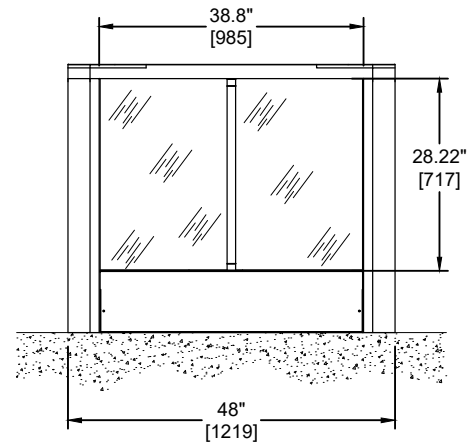
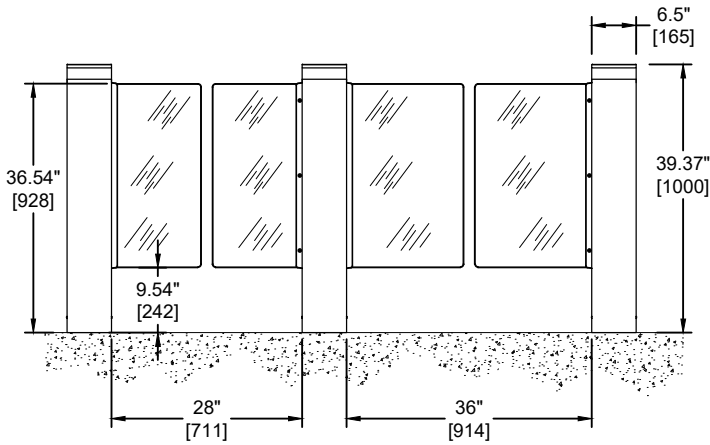
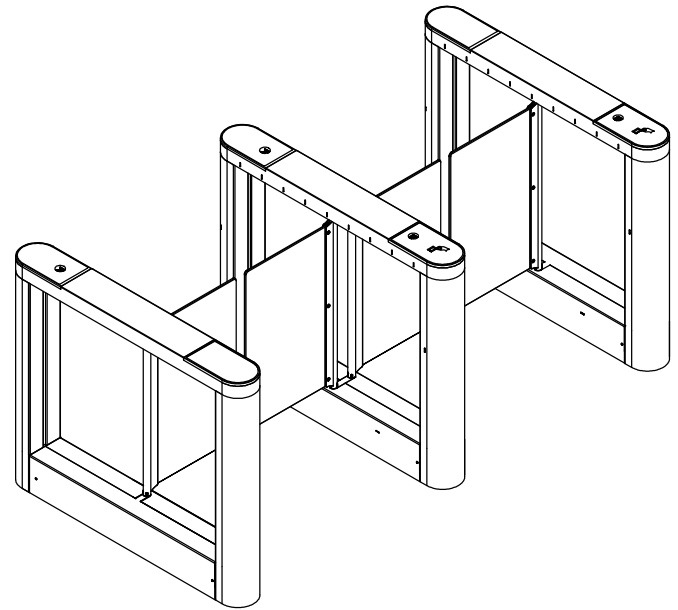
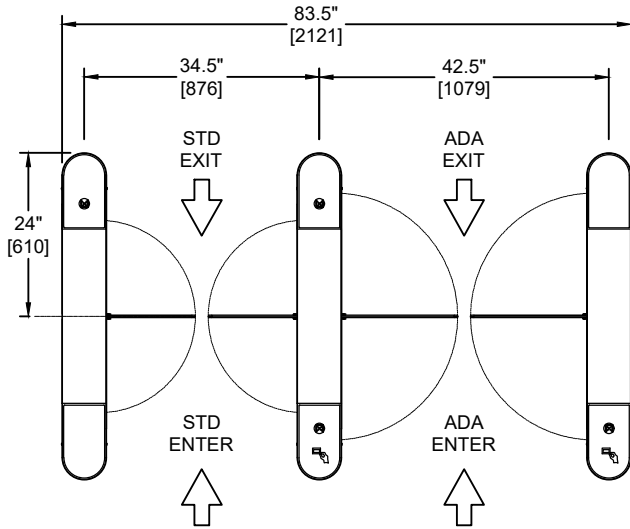
**Elevator Destination Dispatch** Mounting integration of customer-supplied LCD screens for elevator destination dispatch systems.



# Standard Dimensions

## Gunnebo OptiStile 720

For installation details, please refer to the installation manual.



For further information, please contact:

Gunnebo Entrance Control Inc.  
535 Getty Ct., Benicia, CA 94510

[www.gunneboentrancesecurity.com](http://www.gunneboentrancesecurity.com)

