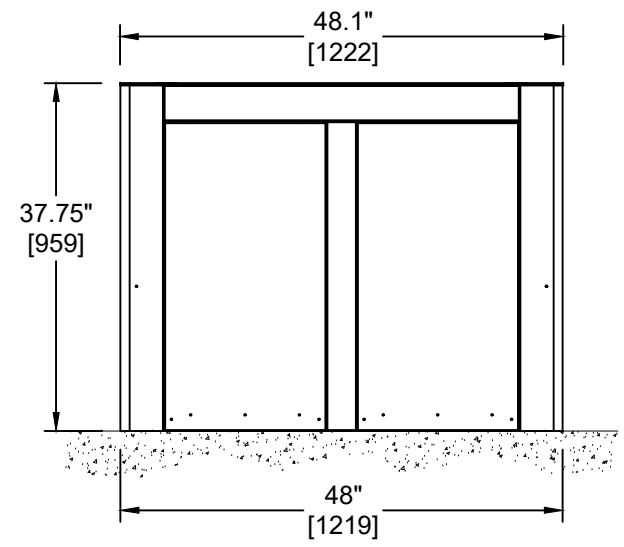
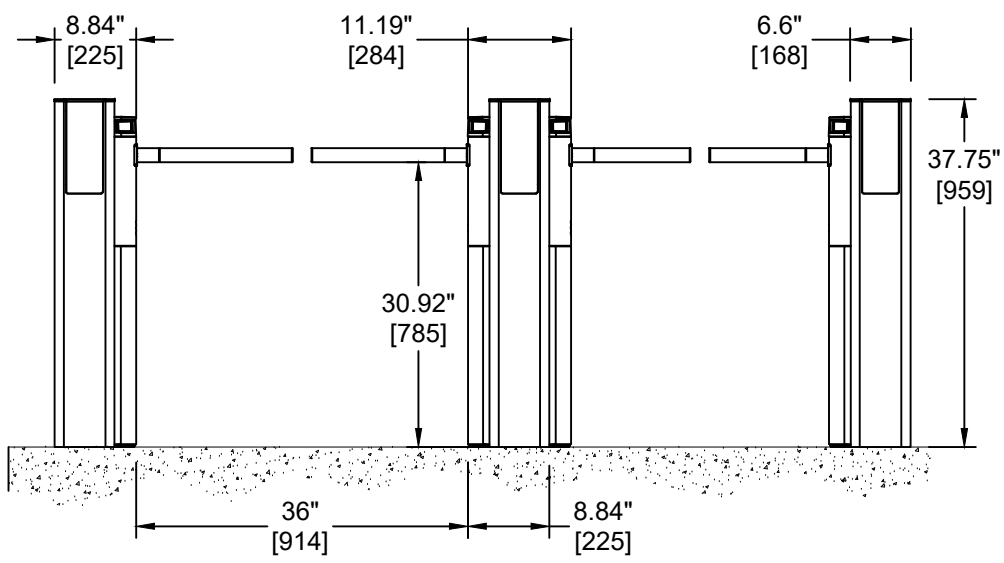


2L / 3P OPTISTILE 1020

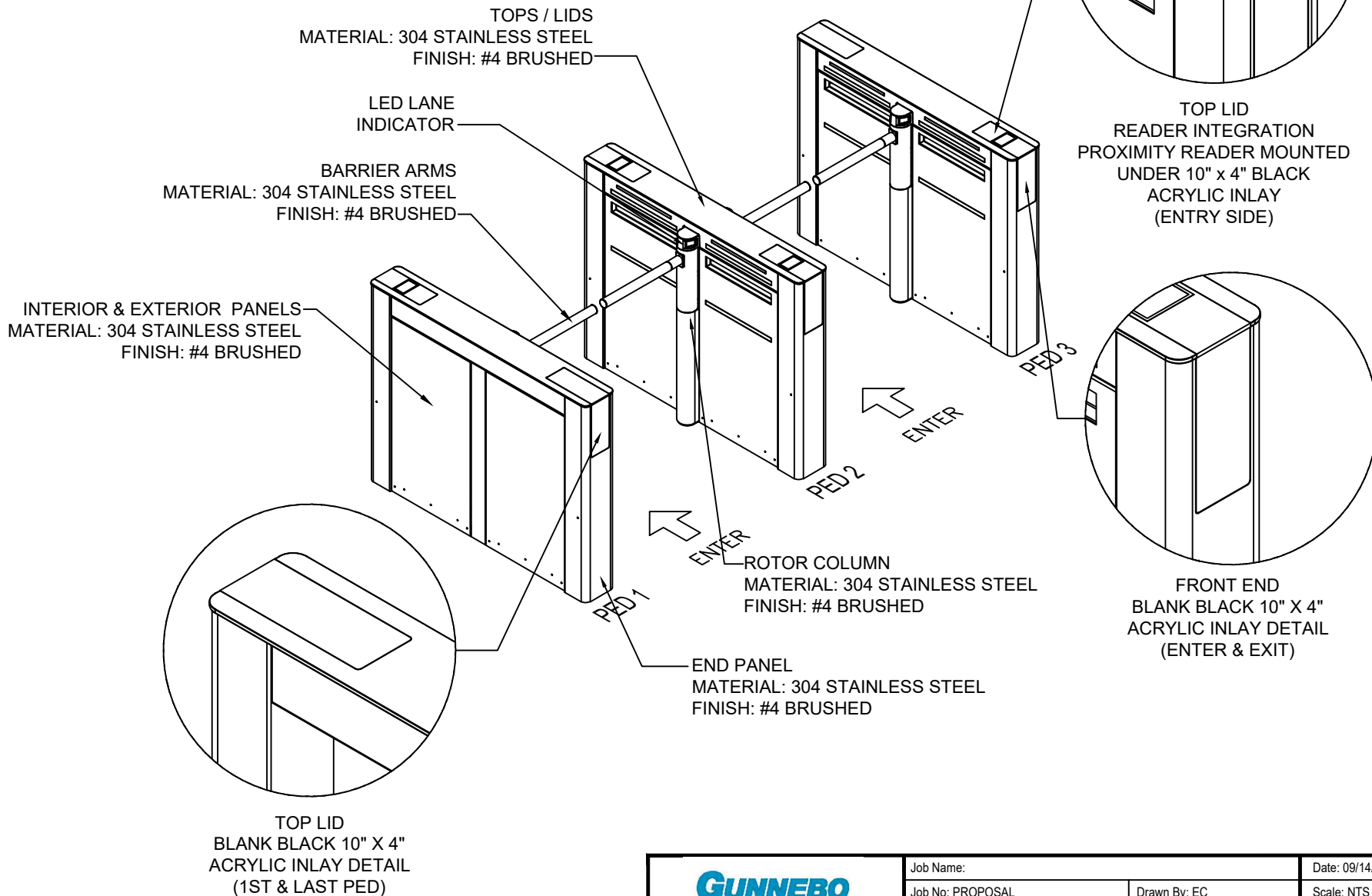
CARD IN / FREE EXIT



	Job Name:		Date: 09/14/22
	Job No: PROPOSAL	Drawn By: EC	Scale: NTS
	Title: 2L / 3P OPTISTILE 1020		Dwg No. SHT-1 (REV-)

2L / 3P OPTISTILE 1020

CARD IN / FREE EXIT

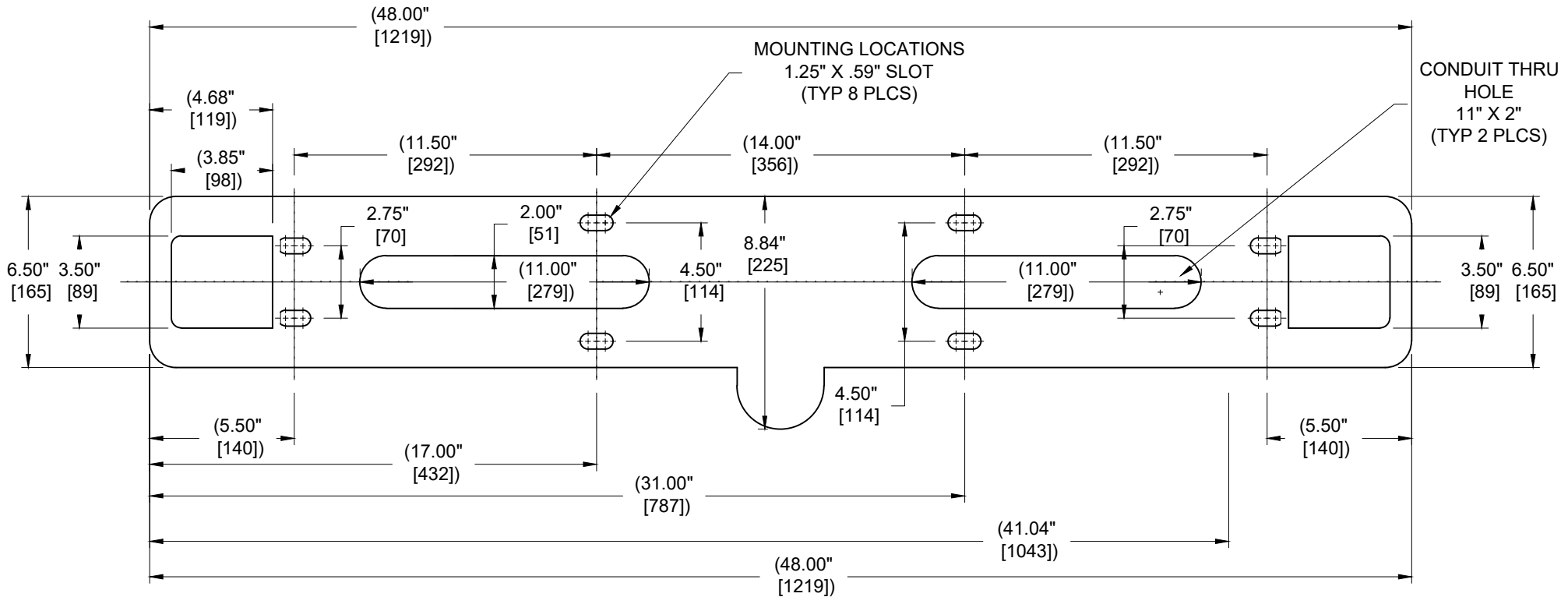


Job Name:		Date: 09/14/22
Job No: PROPOSAL	Drawn By: EC	Scale: NTS
Title: 2L / 3P OPTISTILE 1020		Dwg No. SHT-2 (REV-)

8 7 6 5 4 3 2 1

MOUNTING TEMPLATE

(END PEDESTAL)



***MUST USE ALL 8 FIXING LOCATIONS**

 1" CONDUIT DATA (CABLES)

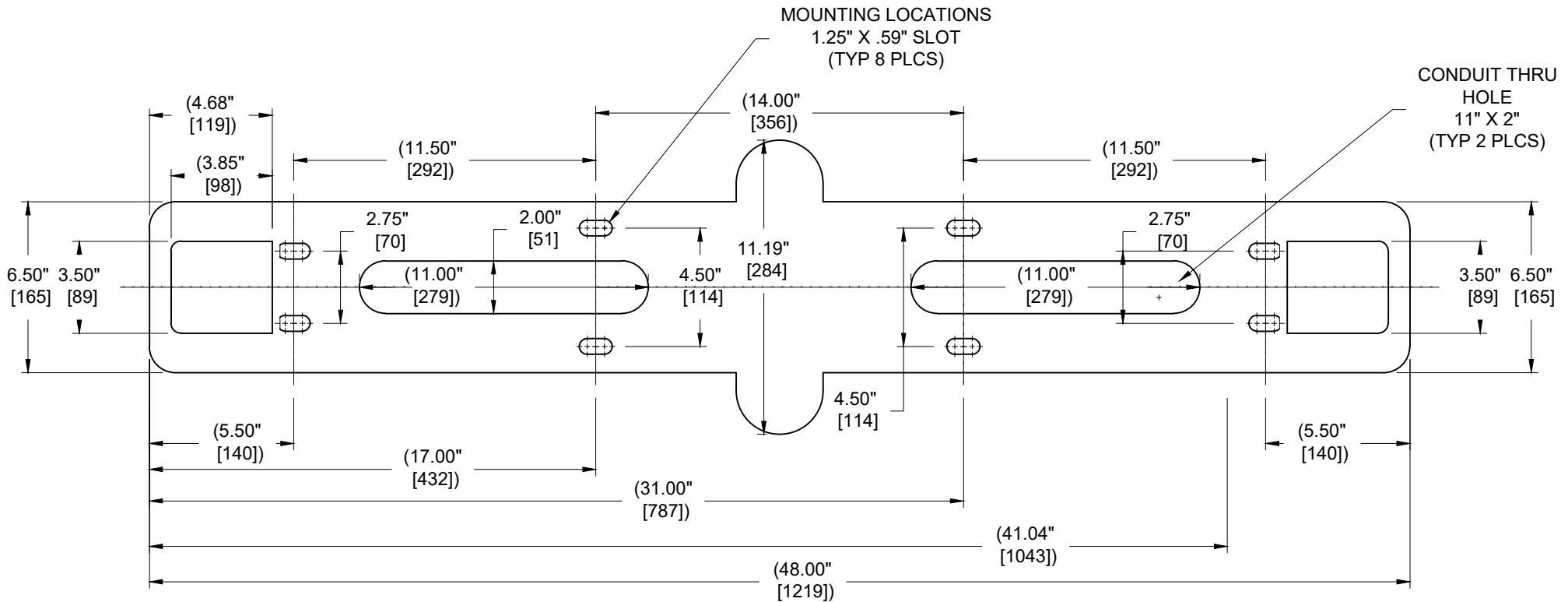
 1" CONDUIT MAINS(CABLES)



Job Name:		Date: 09/14/22
Job No: PROPOSAL	Drawn By: EC	Scale: NTS
Title: OS1020 TEMPLATE - END PEDESTAL		Dwg No. SHT-3 (REV-)

MOUNTING TEMPLATE

(CENTER PEDESTAL)



***MUST USE ALL 8 FIXING LOCATIONS**

 1" CONDUIT DATA (CABLES)

 1" CONDUIT MAINS (CABLES)



Job Name:		Date: 09/14/22
Job No: PROPOSAL	Drawn By: EC	Scale: NTS
Title: OS1020 TEMPLATE - CENTER PEDESTAL		Dwg No. SHT-3 (REV-)