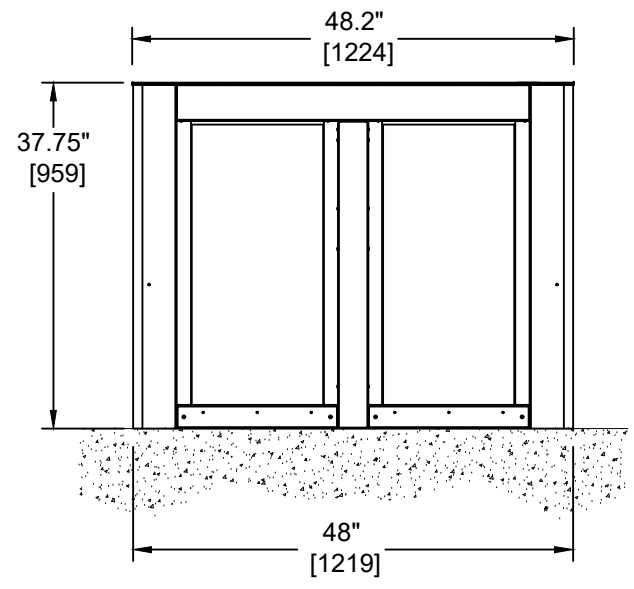
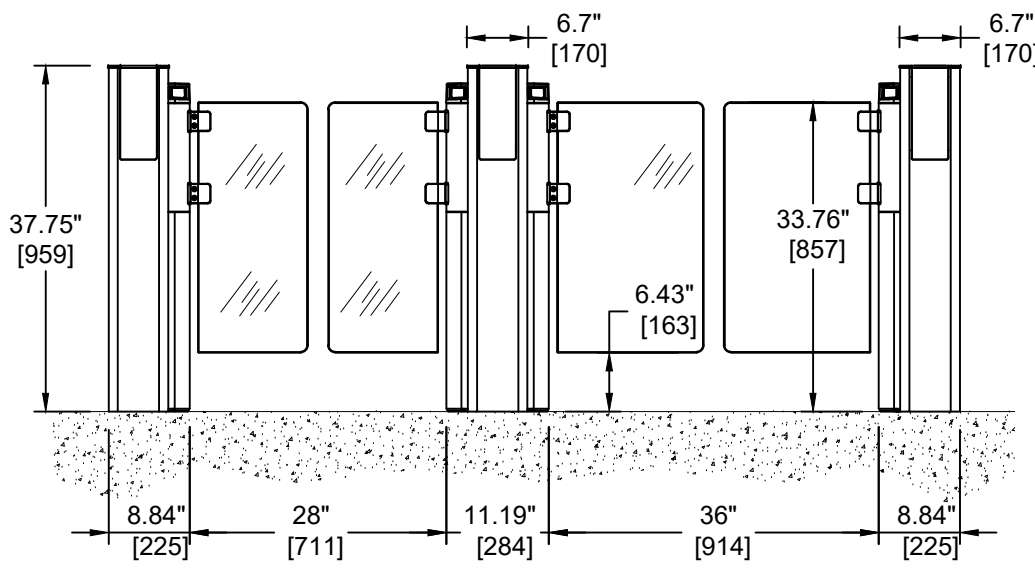


2L / 3P OPTISTILE 1080

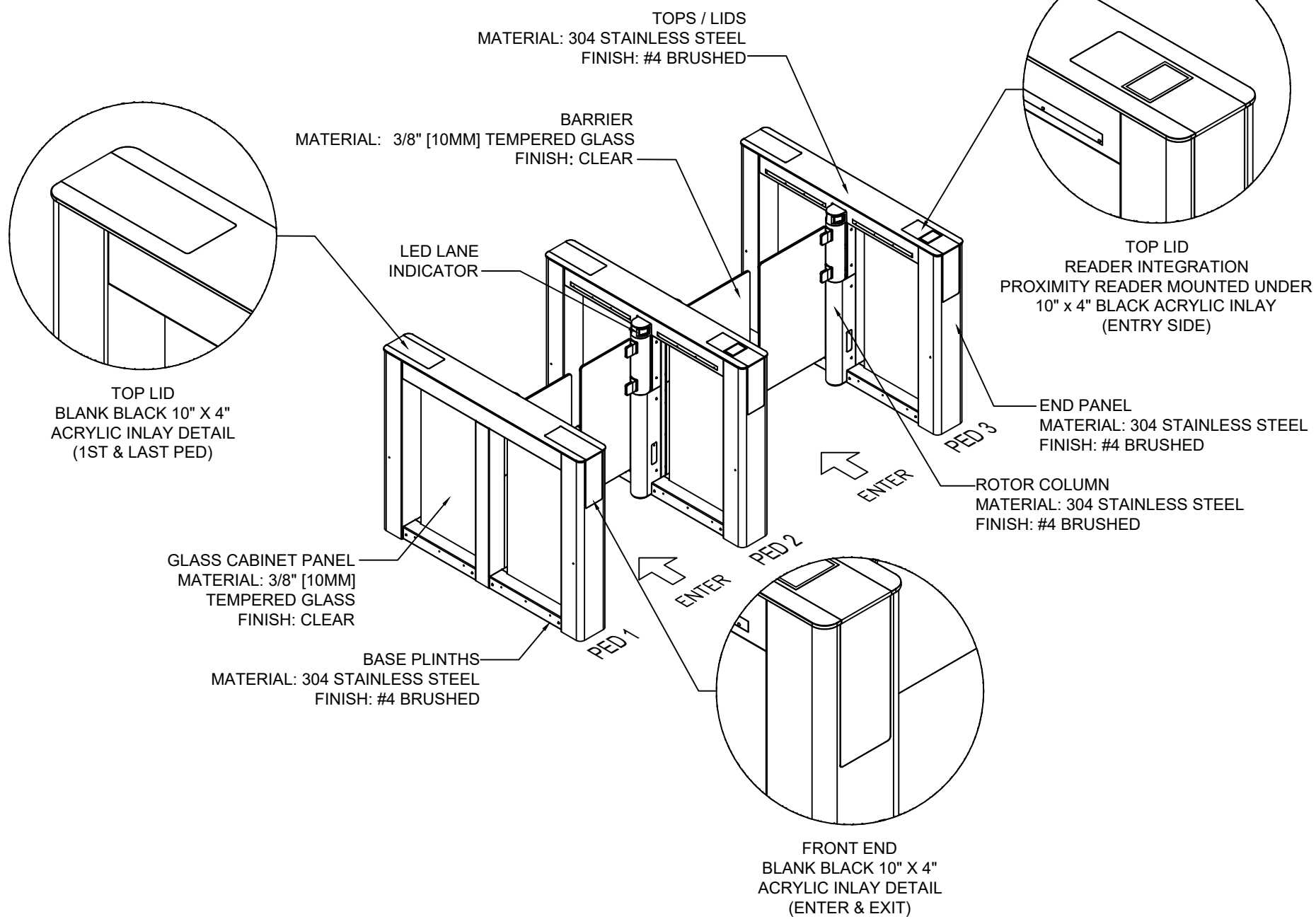
CARD IN / FREE EXIT



	Job Name:		Date: 12/09/21
	Job No: PROPOSAL	Drawn By: EC	Scale: NTS
	Title: 2L / 3P OPTISTILE 1080		Dwg No. SHT-1 (REV-)

2L / 3P OPTISTILE 1080

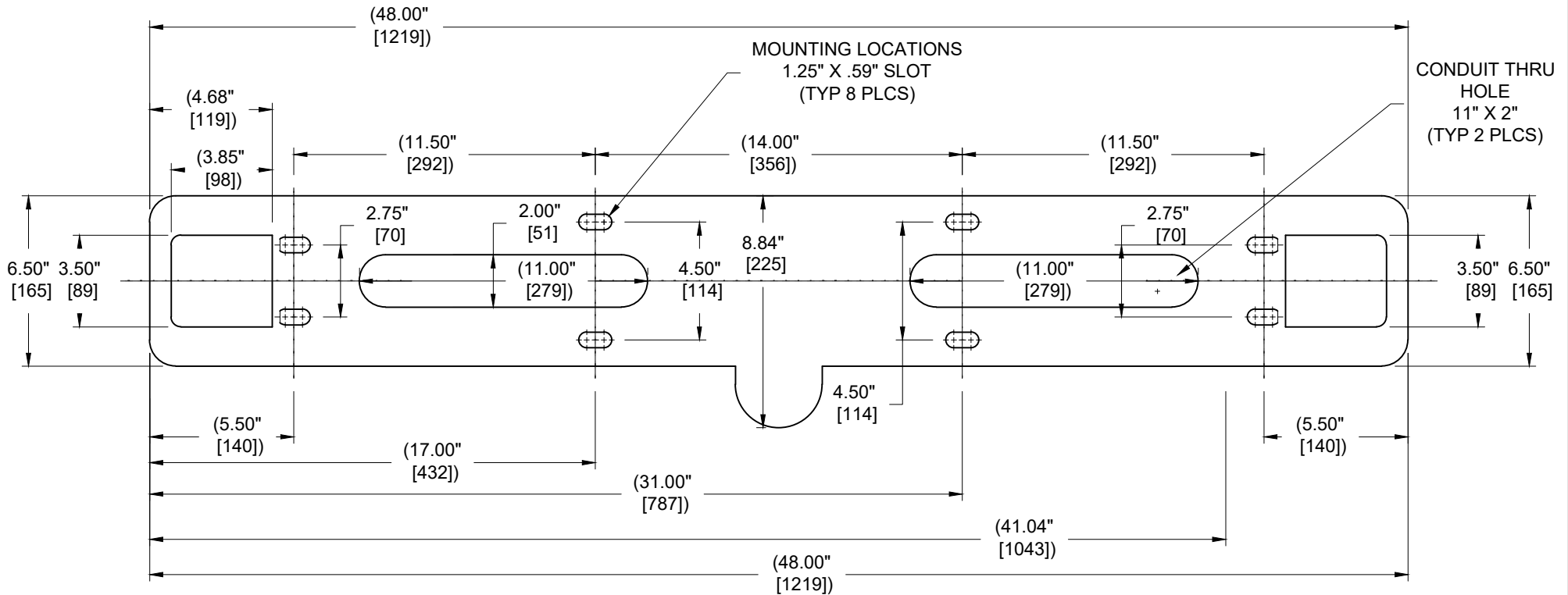
CARD IN / FREE EXIT



	Job Name:		Date: 12/09/21
	Job No: PROPOSAL	Drawn By: EC	Scale: NTS
	Title: 2L / 3P OPTISTILE 1080		Dwg No. SHT-2 (REV-)

MOUNTING TEMPLATE

(END PEDESTAL)



***MUST USE ALL 8 FIXING LOCATIONS**



1" CONDUIT DATA (CABLES)

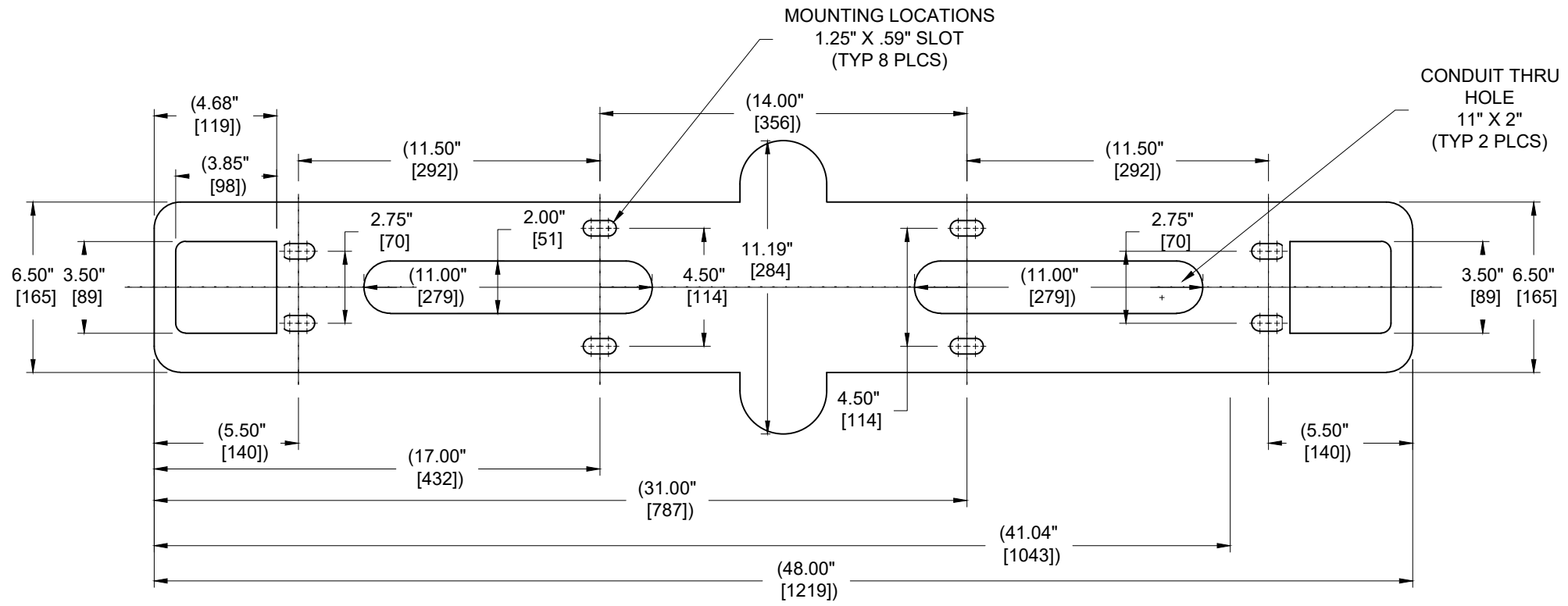


1" CONDUIT MAINS(CABLES)

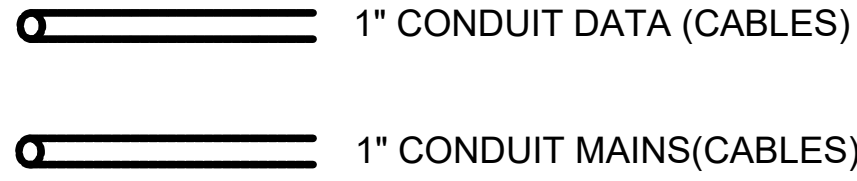
	Job Name:		Date: 12/09/21
	Job No: PROPOSAL	Drawn By: EC	Scale: NTS
	Title: OS1080 TEMPLATE - END PEDESTAL		Dwg No. SHT-3 (REV-)

MOUNTING TEMPLATE

(CENTER PEDESTAL)



***MUST USE ALL 8 FIXING LOCATIONS**



	Job Name:		Date: 12/09/21
	Job No: PROPOSAL	Drawn By: EC	Scale: NTS
	Title: OS1080 TEMPLATE - CENTER PEDESTAL		Dwg No. SHT-3 (REV-)