

8

7

6

5

4

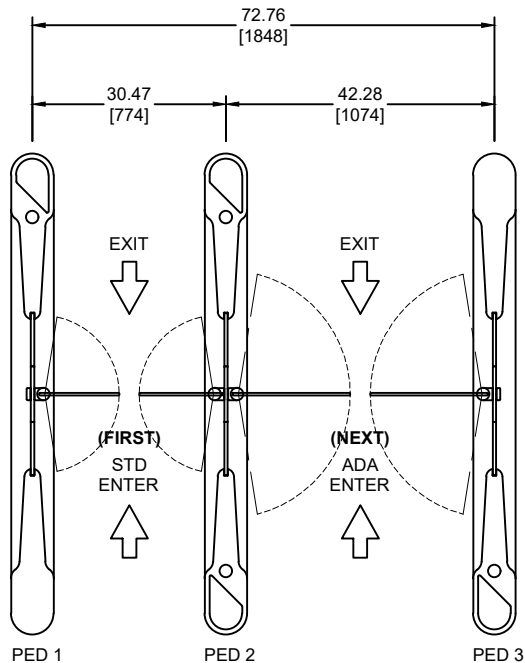
3

2

1

2L3P SPEEDSTILE FL 1925

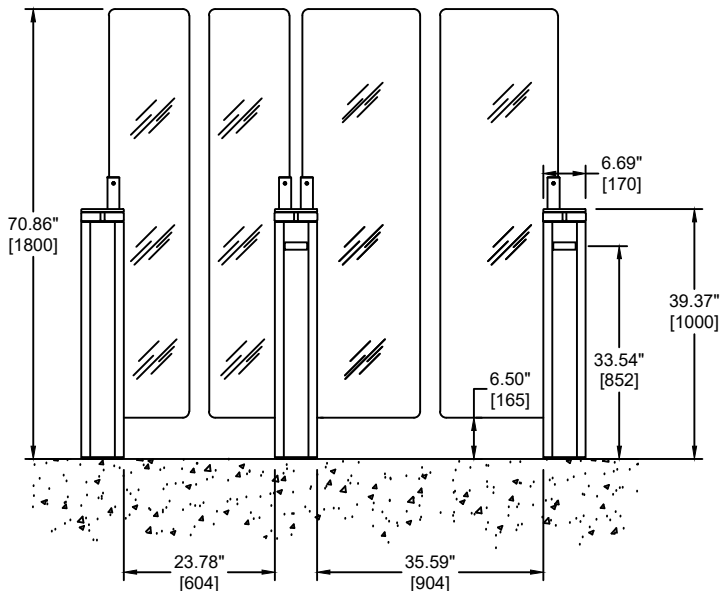
CARD IN / CARD OUT



PLAN VIEW

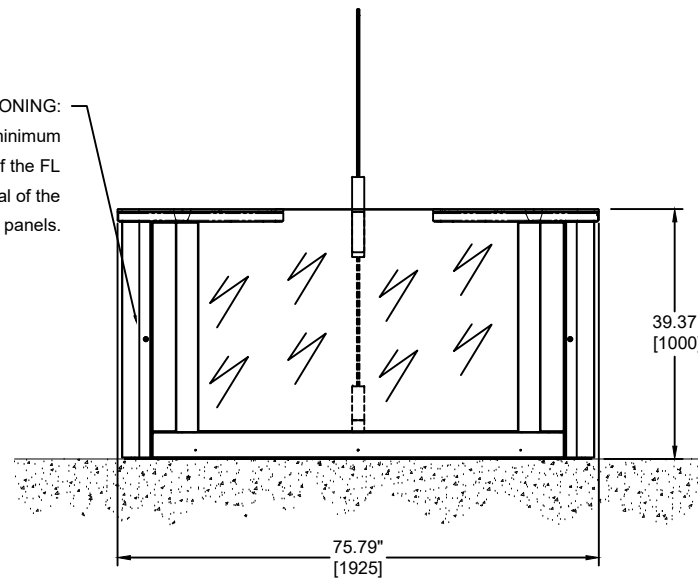
DETAILS:

- #4 Brushed 304 Stainless Steel
- Black Anodized Tops / Lids
- Standard Grey Inlays
- Top Flush-Mounted LED Pictogram Grant Entry Indicator
- Battery Backup on Power Failure
- Light Curtain Safety in Lane
- Waymode Indicator on End Legs (Entry & Exit)



ELEVATION VIEW

UNIT POSITIONING:
Please allow 50 mm minimum clearance to the rear of the FL to enable removal of the Access panels.



SIDE VIEW



Job Name:		Date: 07/26/18
Job No: PROPOSAL	Drawn By: EC	Scale: NTS
Title: 2L / 3P SPEEDSTILE FL		Dwg No. SHT-1 (REV-)

8

7

6

5

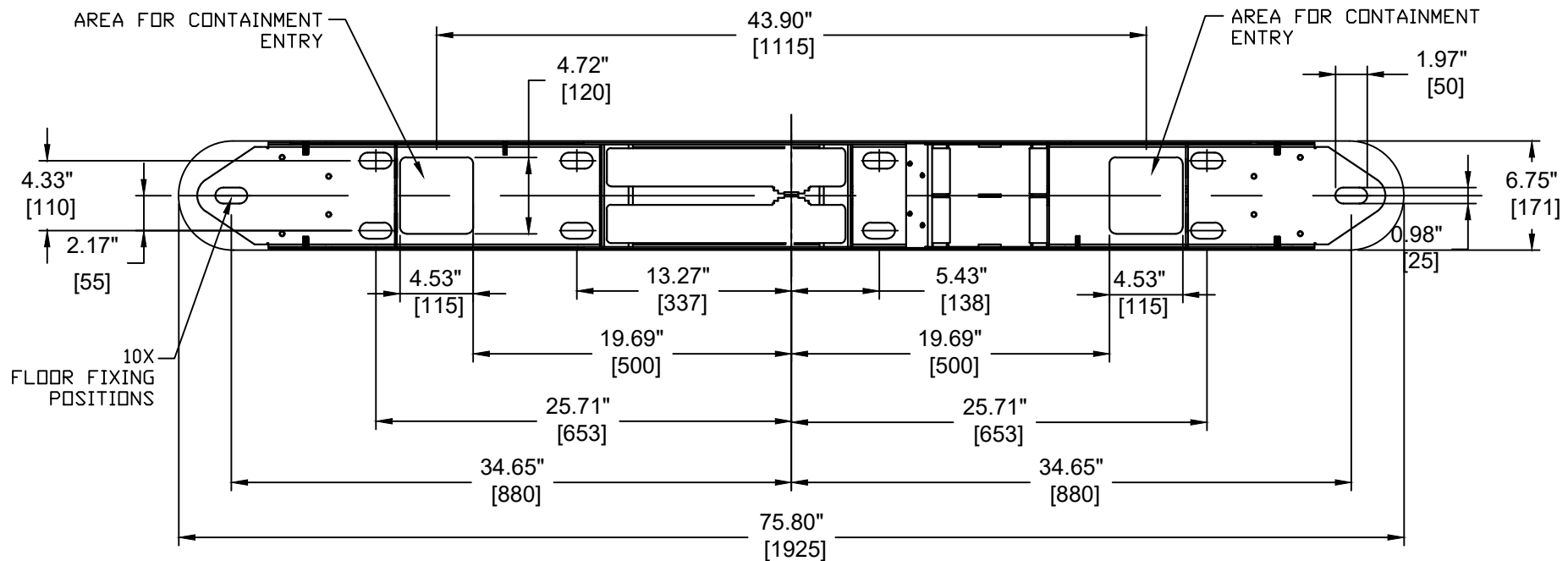
4

3

2

1

FL 1925 - MOUNTING TEMPLATE



Job Name:		Date: 07/26/18
Job No: PROPOSAL	Drawn By: EC	Scale: NTS
Title: SPEEDSTILE FL - 1925 TEMPLATE		Dwg No. SHT-2 (REV-)