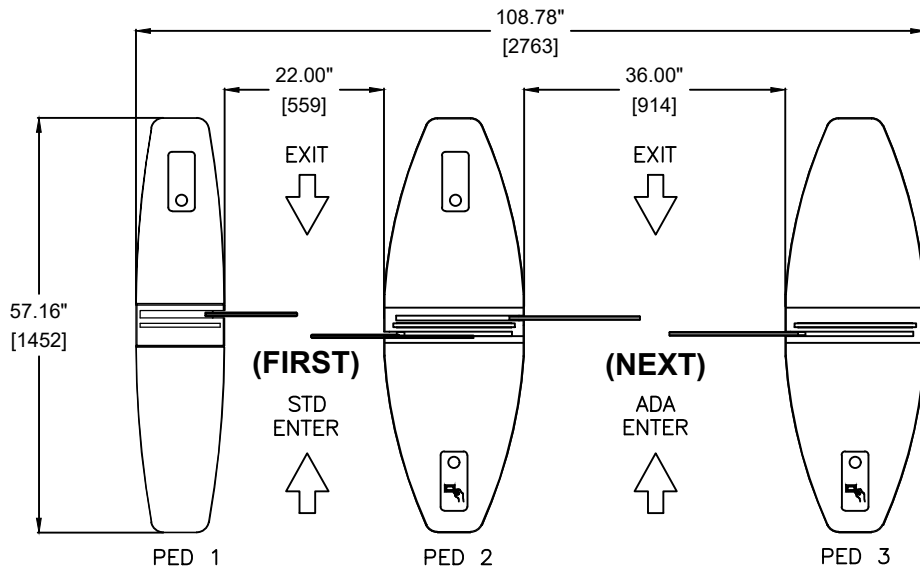
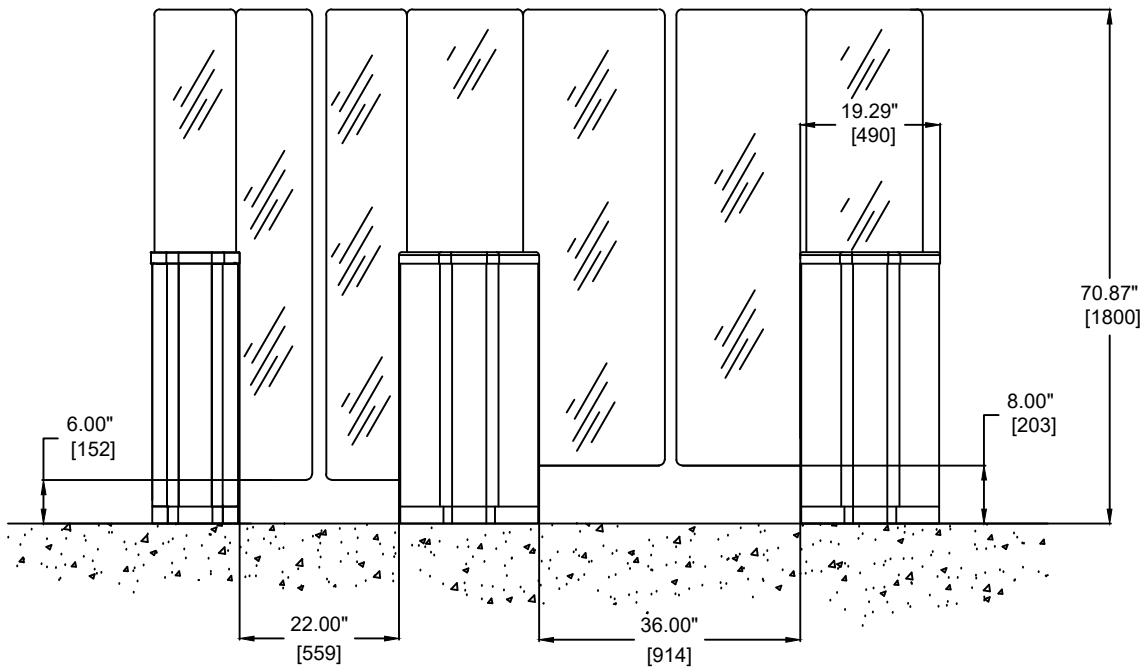


2L / 3P SPEEDSTILE FP / FPW

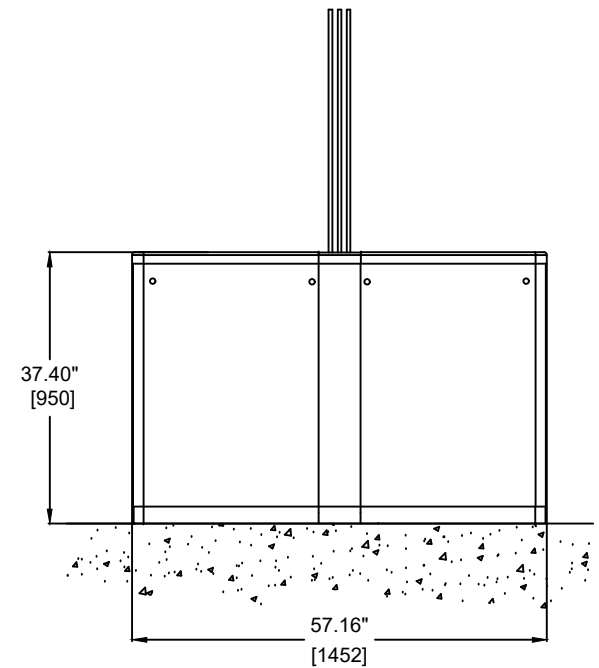
CARD IN / FREE EXIT



PLAN VIEW



ELEVATION VIEW



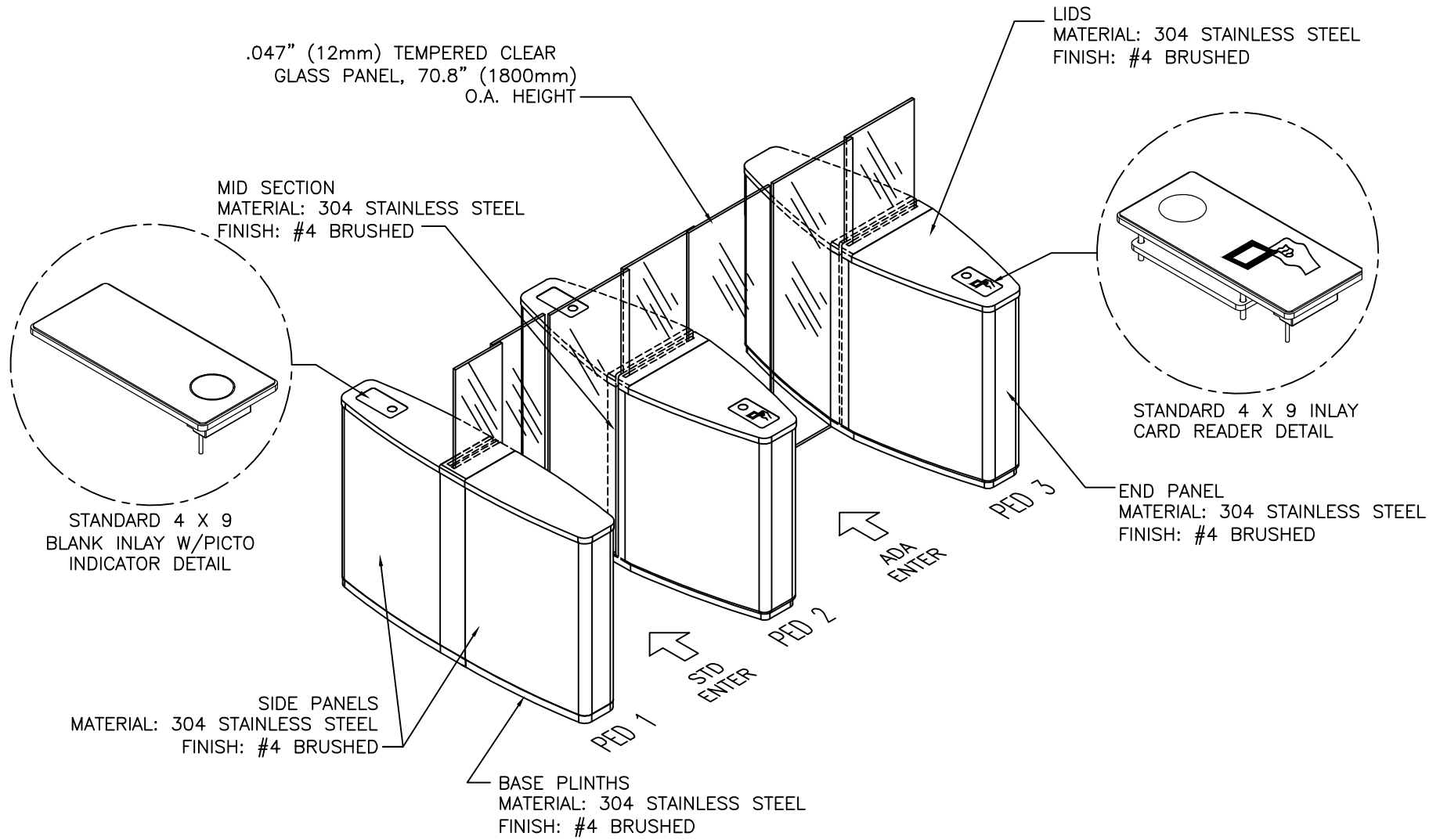
SIDE VIEW



Job Name:		Date: 07/26/18
Job No: PROPOSAL	Drawn By: EC	Scale: NTS
Title: 2L / 3P SPEEDSTILE FP / FPW		Dwg No. SHT-1 (REV-)

2L / 3P SPEEDSTILE FP / FPW

CARD IN / FREE EXIT



Job Name:		Date: 07/26/18
Job No: PROPOSAL	Drawn By: EC	Scale: NTS
Title: 2L / 3P SPEEDSTILE FP / FPW		Dwg No. SHT-2 (REV-)