

2X SLIMSTILE-SE W/ DROP ARM

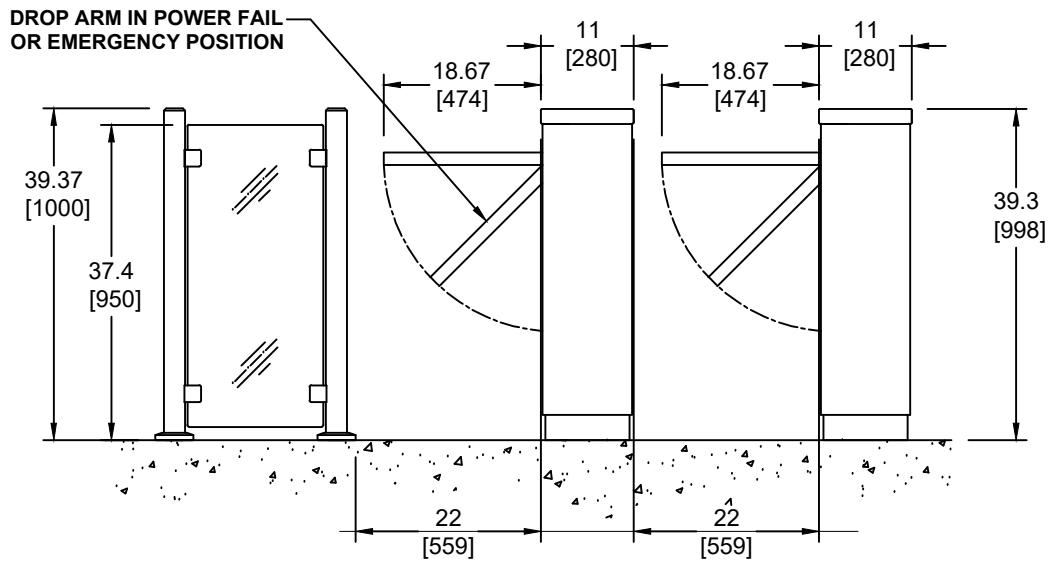
CARD IN/ FREE EXIT

W/ OPTIONAL BARRIERS

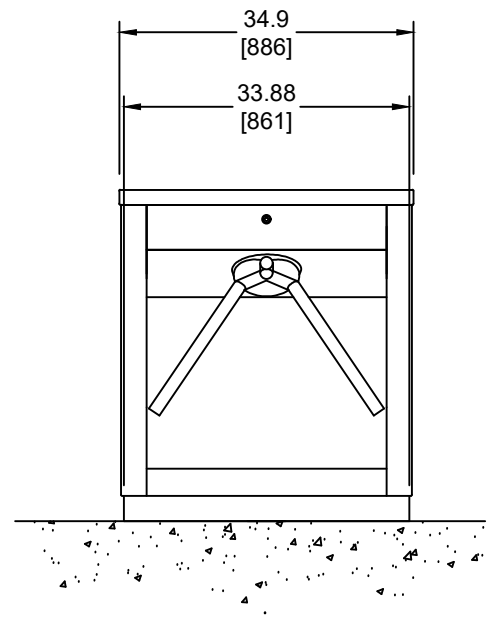
Approved By: _____

Date: _____

PLAN VIEW



ELEVATION VIEW



SIDE VIEW

	Job Name:		Date: 07/10/19
	Job No: PROPOSAL	Drawn By: MP	Scale: NTS
	Title: 2L SLIMSTILE SE		Dwg No. SHT-1 (REV-)

2X SLIMSTILE-SE W/ DROP ARM CARD IN / FREE EXIT

LIDS / TOPS:
MATERIAL: 304 STAINLESS STEEL
FINISH: #4 HORIZONTAL GRAINED

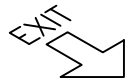
DROP ARMS:
MATERIAL: 304 STAINLESS STEEL
FINISH: POLISHED

4 X 9 BLACK ACRYLIC INLAY
W/ LED PICTOGRAM
(EXIT SIDE)

4 X 9 BLACK ACRYLIC INLAY
W/ LED PICTOGRAM
FOR PROX READER
(ENTER SIDE)

PLINTHS
MATERIAL: MILD STEEL
FINISH: PAINT
COLOR: BLACK

FRAME
MATERIAL: 304 STAINLESS STEEL
FINISH: #4 HORIZONTAL GRAINED



Approved By: _____

Date: _____



Job Name:

Job No: PROPOSAL

Title: 2L SLIMSTILE SE

Drawn By: MP

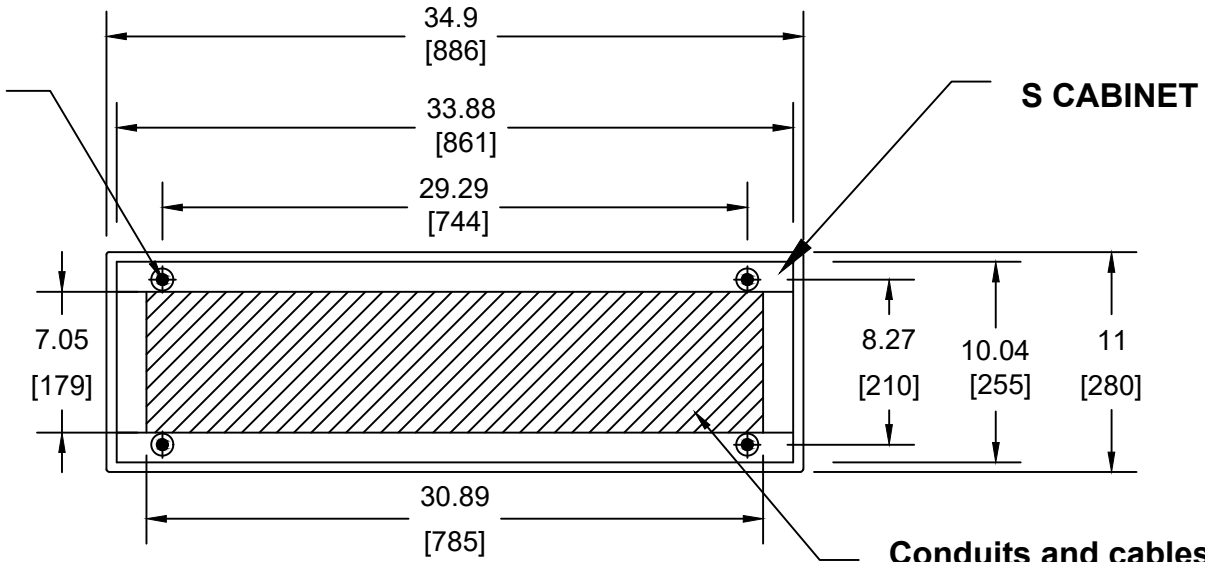
Date: 07/10/19

Scale: NTS

Dwg No. SHT-2 (REV-)

MOUNTING TEMPLATE

Floor anchor position drill
 Ø.47" X 3.94" (Ø12 x 100) deep min.
 position tolerance +/-0.2
 (drilled during installation)



Conduits and cables to rise within shaded areas.

IMPORTANT - Any horizontal pipe or conduit runs below the surface must avoid the turnstile fixing positions.

Approved By: _____
 Date: _____

	Job Name:		Date: 07/10/19
	Job No: PROPOSAL	Drawn By: MP	Scale: NTS
	Title: SLIMSTILE SE TEMPLATE		Dwg No. SHT-3 (REV-)

8

7

6

5

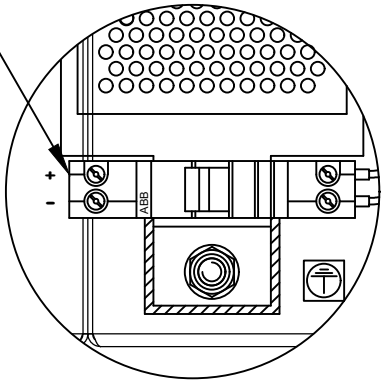
4

3

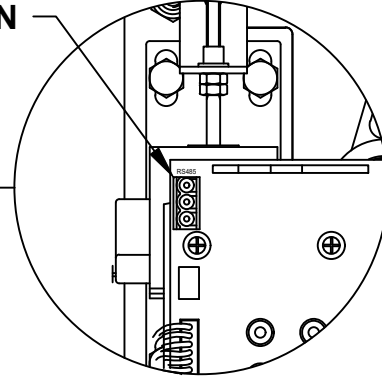
2

1

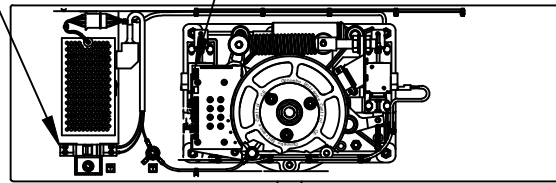
110V TERMINATION



3 PIN RS485 TERMINATION



TERMINATION LOCATION
110V POWER & RS485



***VIEW FROM TOP, INSIDE TURNSTILE, UNDER LID.
 (NOT TO SCALE)**

Approved By: _____

Date: _____



Job Name:		Date: 07/10/19
Job No: PROPOSAL	Drawn By: MP	Scale: NTS
Title: SLIMSTILE SE POWER		Dwg No. SHT-4 (REV-)