

SlimStile SE

Tripod Turnstile for Internal or External Installation*

Tripod Turnstiles are compact, cost-effective entrance solutions designed for smooth and silent operation, less wear and tear, reduced power consumption, and are suitable for areas where there is a large flow of people.

SlimStile SE offers a well-designed casework made of stainless steel, ideal for high-throughput sites where robustness is required. An upgraded 316 grade stainless steel and outdoor IP44 rated version are available. A double-walkway model is also available.

A signal from the access control system, or pushbutton, allows the passage of one person at a time. The status is shown on the LED waymode indicators, on the entry and exit side. In case of emergency, the hub freely rotates to allow an easier exit.

The drop arm option can also be chosen, which automatically drops the horizontal arm to allow free passage. Passage in both directions is electronically controlled.

The SlimStile SE is available as standard in a Normally Closed (N/C) configuration to lock the mechanism until a valid authorization signal is received. The lane can also be programmed to a Normally Open (N/O) configuration to only lock the mechanism in the event of attempted unauthorized entry. The N/O configuration allows for reduced power consumption, increases the life of the mechanism and increases passage throughput speed.

**External installation is allowed under canopy.*

SlimStile SE

Tripod Turnstile for Internal or External Installation

Drive

Hand-operated

Materials

Casework: 304 grade grained stainless steel
Casework lid: 304 grade grained stainless steel
Tripod hub: Cast aluminium with painted grey finish
Tripod arms: 1.5" diameter, 18.9" 304 polished stainless steel

Mechanism

Electro-mechanical head mechanism:

- Positive locking action for one passage at a time
- Self-centering mechanism to ensure complete rotation into the home position
- Hydraulic damper to ensure smooth operation
- Anti-backup device to prevent reverse rotation once the mechanism has moved 60° from home

Power Failure / Fire Alarm

- Either one or both directions can be Fail-Safe (standard), i.e. rotates freely, or Fail-Lock, i.e. locks in the home position
- Fire alarm – emergency input. Input facility available for free voltage contact to effect fail-state
- Mechanism fail state will be the same as power failure choice
- Drop arm option: the horizontal arm drops to create passage for evacuation

Interface

- LL2001Lite microprocessor control logic:
- One input for opening/locking in each direction
- Two protected outputs controlling opening/locking
- Four protected outputs piloting waymode indicators
- Two protected outputs counting passage in either direction
- Two OV output relays indicating availability of use or counting passage in either direction
- Two open collector NPN outputs to count passage or to indicate availability of use in either direction or to activate the optional drop arm feature
- Serial Port - RS485

MODELS

- Single
- Double
- Empty Cabinet (To create walkway)
- 316 grade stainless steel

OPTIONS

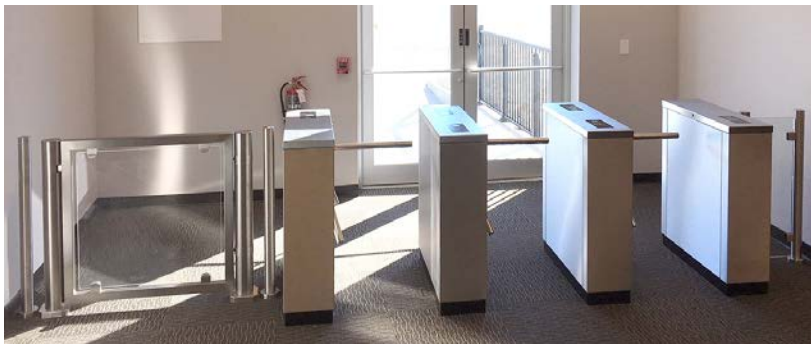
- Cardreader mounting
- Pushbutton control
- Pictograms
- LCD counter
- Drop arm
- 316 stainless steel (single only)
- Coin acceptor application

BENEFITS

- Well-designed two-legged casework made of stainless steel
- Silent operation and reduced power consumption

APPLICATIONS

- Government
- Retail
- Finance
- Telecommunications
- IT
- Banking
- Publishing
- Leisure
- Petrochemical
- Education

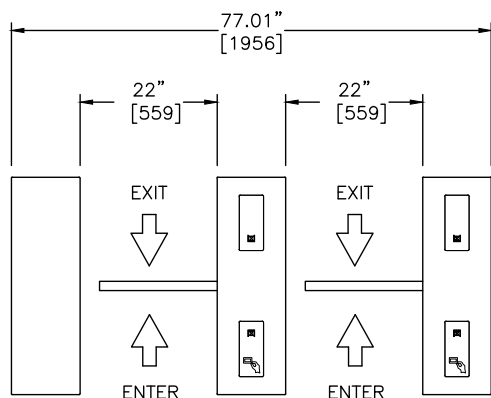


SlimStile SE

Tripod Turnstile for Internal or External Installation

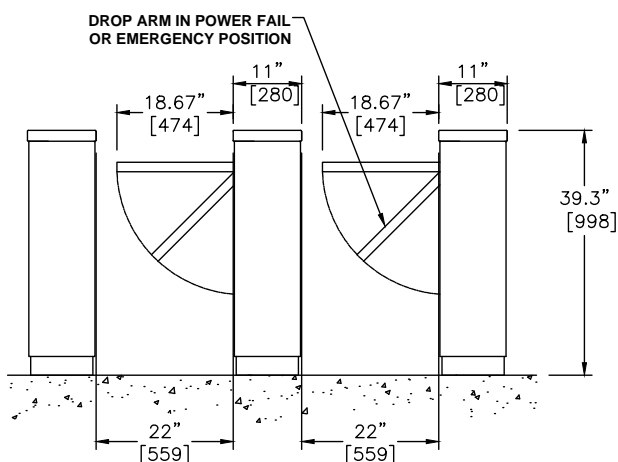
TECHNICAL DATA & DIMENSIONS

Power Supply	115Vac 60 Hz
Power Rating	50VA (stand by 5VA if Normally Open)
Operating Temperature	-5° (-10° with heating kit, for Single model) to +122 °F (RH 95% not condensing)
IP rating / MCBF / MTTR	IP 44 / 10M cycles (12M if Normally Open) / less than 30 min
Flow Rates (approx. figures)	Insertion Type Reader: 20 passages per minute Swipe Type Reader: 30 passages per minute Proximity Reader: 40 passages per minute

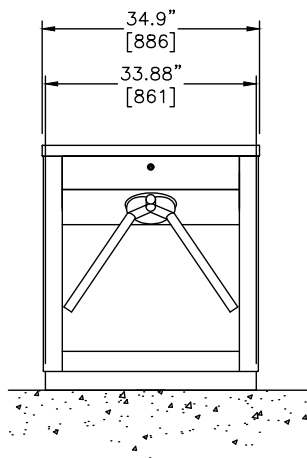


PLAN VIEW

2X SLIMSTILE-SE
W/ OPTIONAL EMPTY CABINET



ELEVATION VIEW



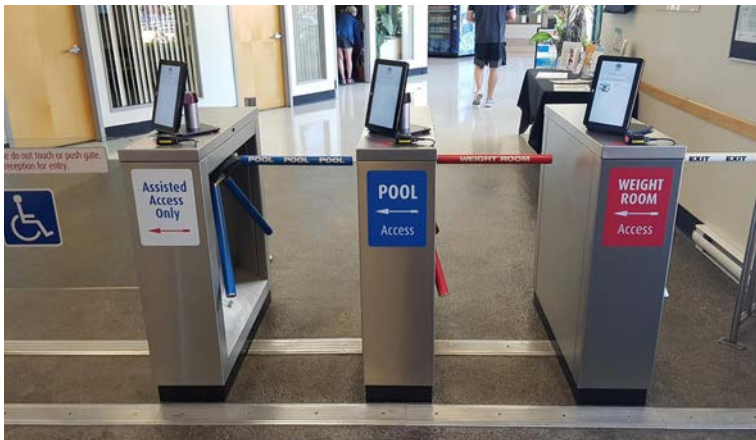
SIDE VIEW

SlimStile SE

Tripod Turnstile for Internal or External Installation

IMPORTANT

- Any horizontal pipe or conduit running below the Tripod Turnstile must be at least 5.5" below FFL.
- Metal conduit for cables should be raised at least 2.0" from foundation
- It is the customer's responsibility to ensure the structural integrity and strength of the installation location.
- The dimensions given in this Product Data Sheet are for information only. In order to prepare the installation site, please refer to your usual Gunnebo Customer Service contact



For further information, please contact:

Gunnebo Entrance Control Inc.
535 Getty Ct., Benicia, CA 94510
Tel: 513-666-4821
Email: info@gunnebo.us
www.gunneboentrancesecurity.com

Note: In pursuit of its policy of continuous refinement and improvement, Gunnebo Entrance Control reserves the right to modify design and details at any time and without notice.

