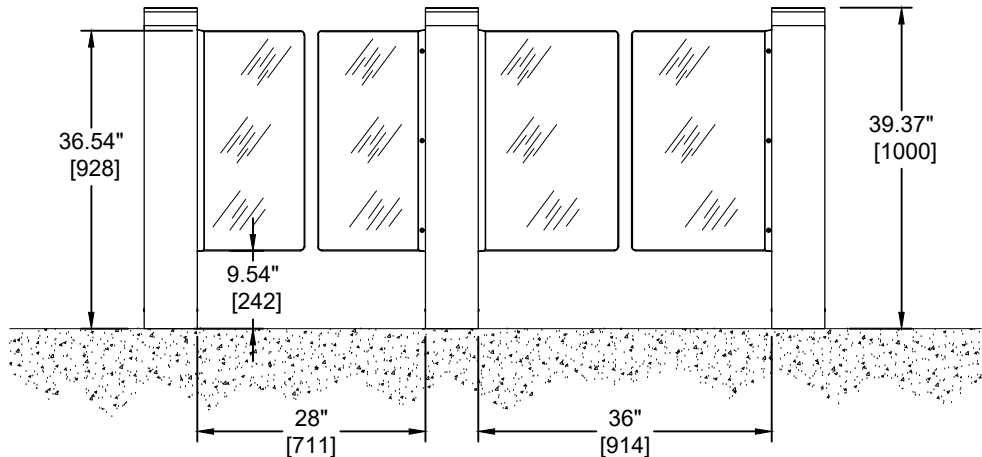


PLAN VIEW

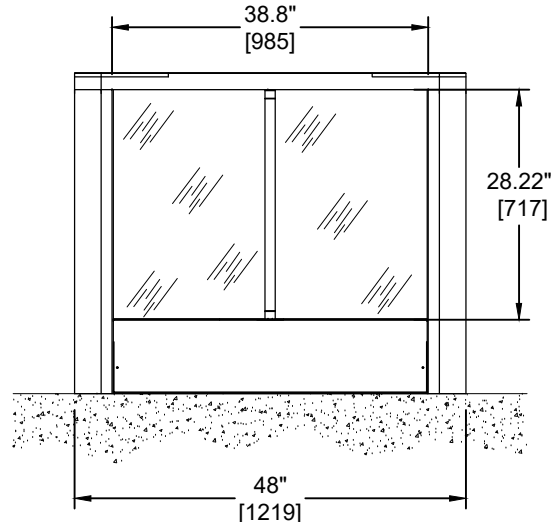
RECOMMENDED CLEARANCE FROM WALL OR OTHER FOR EASE OF SERVICEABILITY.

2L / 3P OPTISTILE 720

CARD IN / FREE EXIT



ELEVATION VIEW

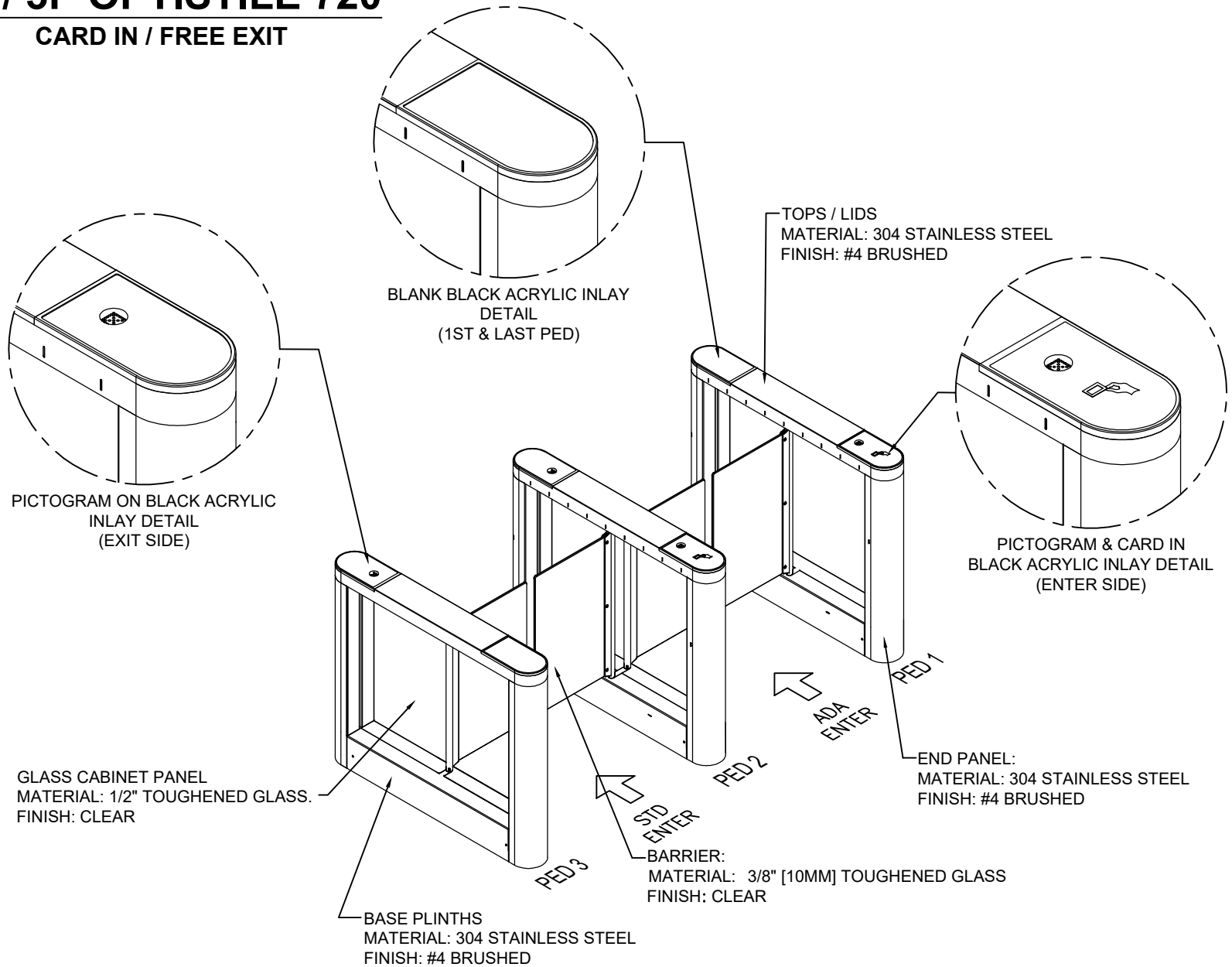


SIDE VIEW

	Job Name:		Date: 07/26/18
	Job No: PROPOSAL	Drawn By: EC	Scale: NTS
	Title: 2L / 3P OPTISTILE 720		Dwg No. SHT-1 (REV-)

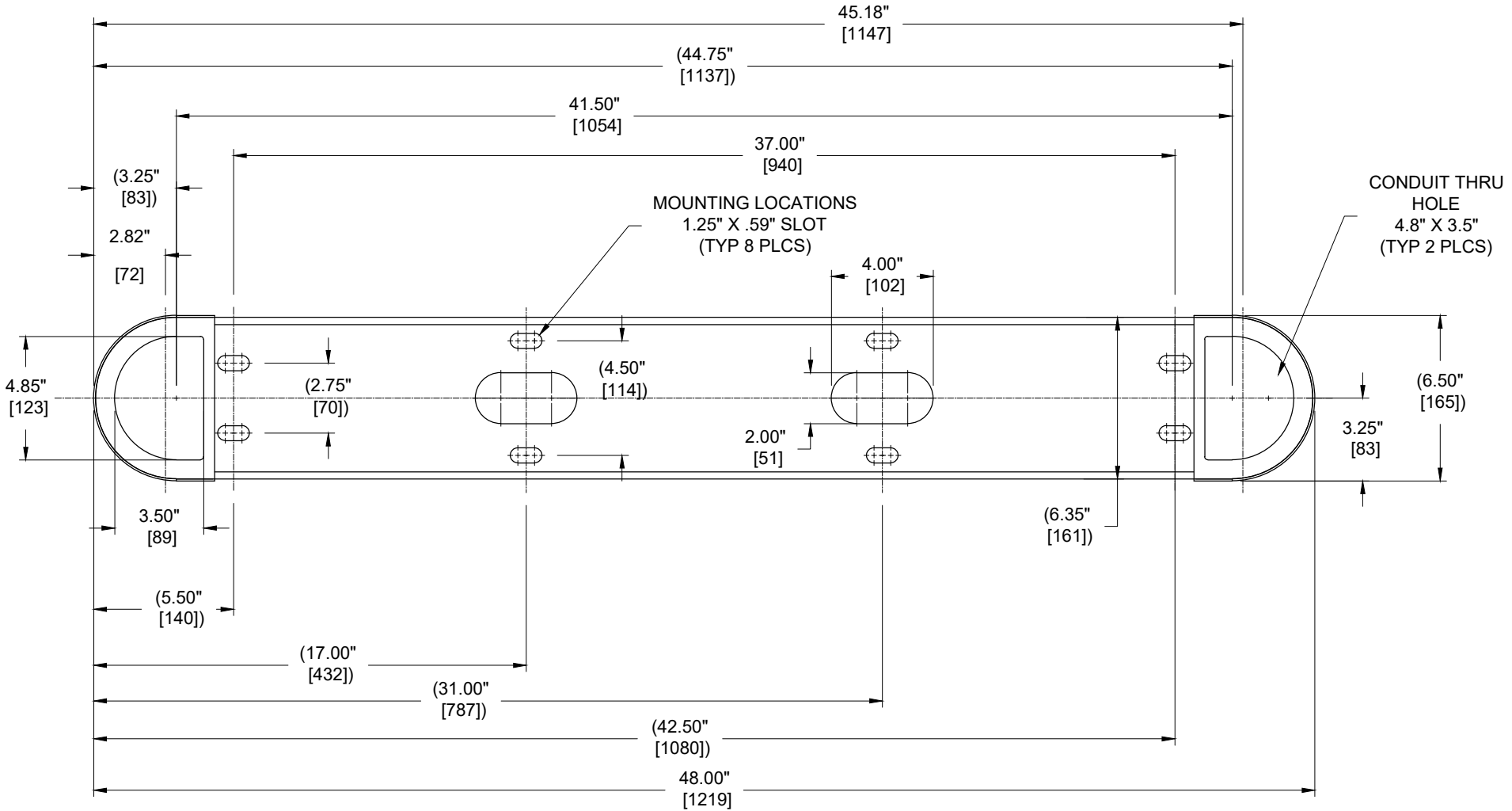
2L / 3P OPTISTILE 720

CARD IN / FREE EXIT



Job Name:	Date: 07/26/18	
Job No: PROPOSAL	Drawn By: EC	Scale: NTS
Title: 2L / 3P OPTISTILE 720	Dwg No. SHT-2 (REV-)	

MOUNTING TEMPLATE



Job Name:		Date: 07/26/18
Job No: PROPOSAL	Drawn By: EC	Scale: NTS
Title: OST720 TEMPLATE		Dwg No. SHT-3 (REV-)