

8

7

6

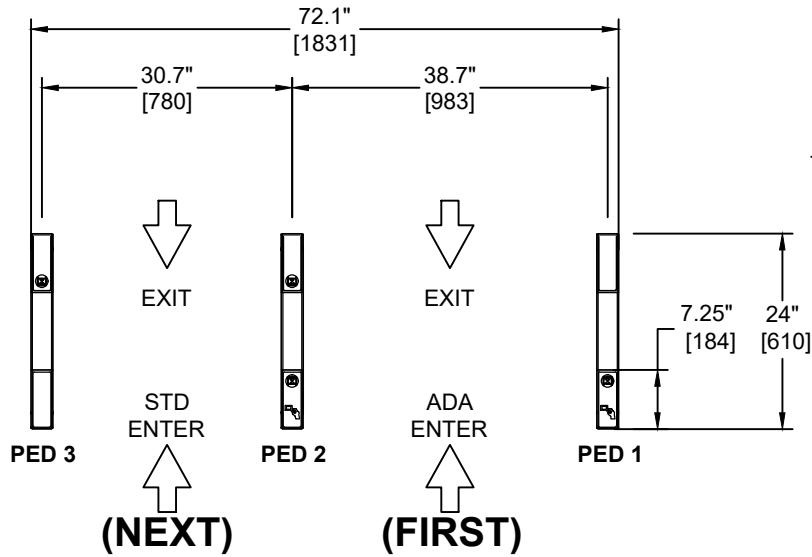
5

4

3

2

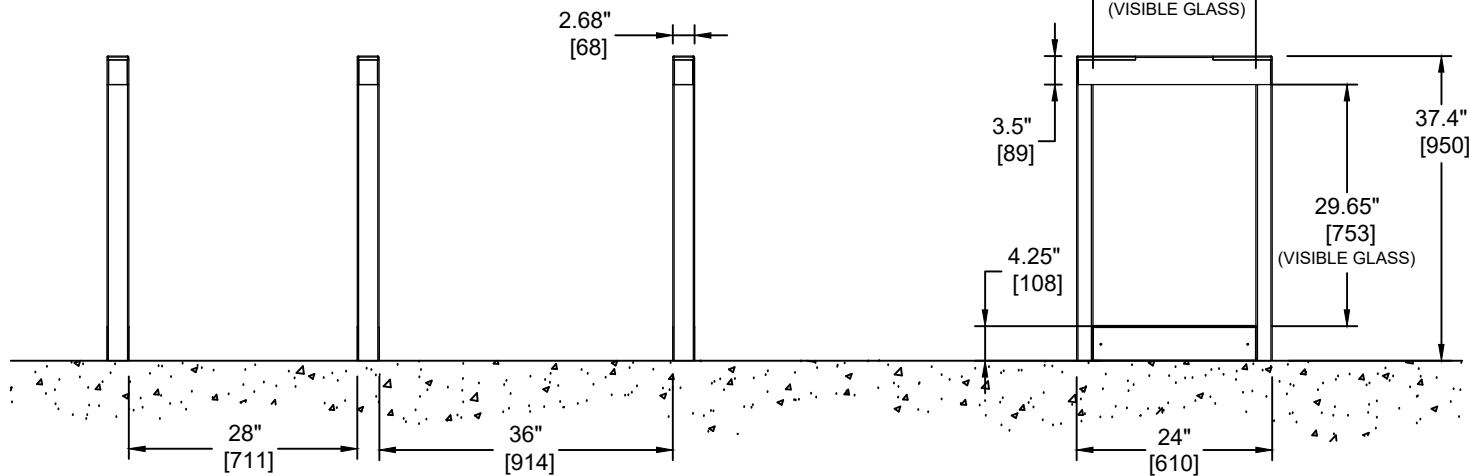
1



3L / 4P OPTISTILE 400

CARD IN / FREE EXIT

PLAN VIEW



ELEVATION VIEW

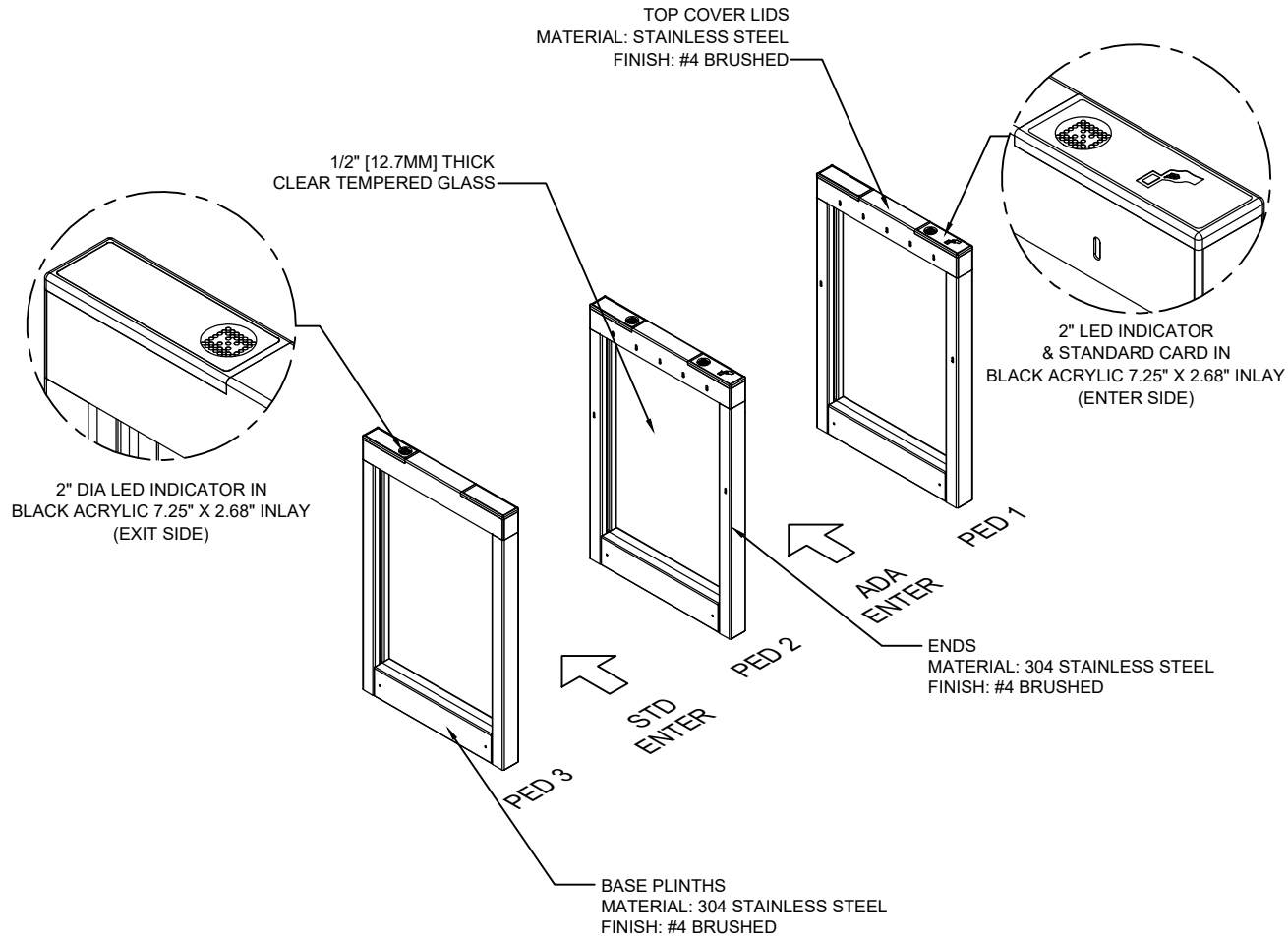
SIDE VIEW



Job Name:			Date: 07/26/18
Job No: PROPOSAL	Drawn By: EC	Scale: NTS	
Title: 2L / 3P OPTISTILE 400	Dwg No. SHT-1 (REV-)		

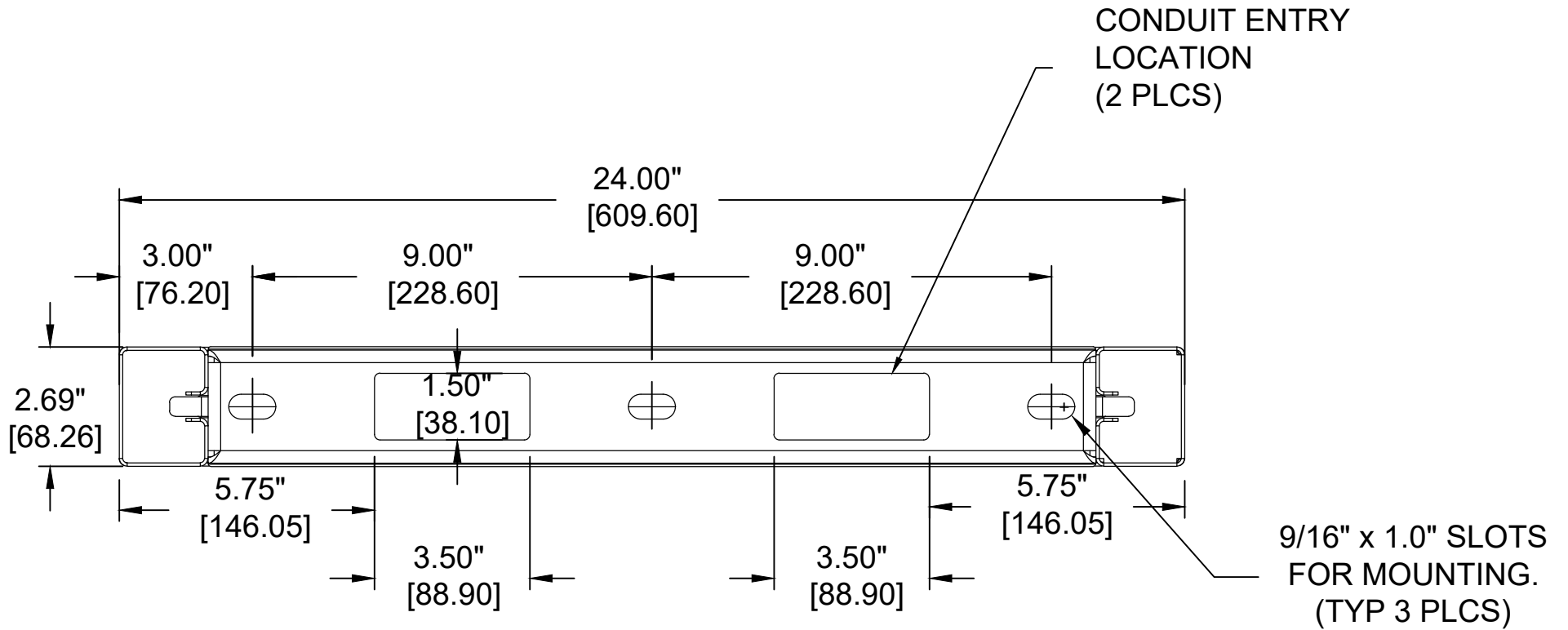
2L / 3P OPTISTILE 400

CARD IN / FREE EXIT



Job Name:		Date: 07/26/18
Job No: PROPOSAL	Drawn By: EC	Scale: NTS
Title: 2L / 3P OPTISTILE 400		Dwg No. SHT-2 (REV-)

MOUNTING TEMPLATE



Job Name:		Date: 07/26/18
Job No: PROPOSAL	Drawn By: EC	Scale: NTS
Title: OS400 TEMPLATE		Dwg No. SHT-3 (REV-)